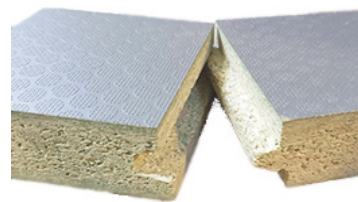


Antislip floors for working safety.

Koskisen Mezzanine floors.

KoskiFloor standard chipboard grade P6 is ideal for floors in dry conditions.

For more demanding conditions, we recommend KoskiFloor P5/ P6 board that meets the strength requirements of P6 grade and the moisture conditions of P5 grade.



ECO-FRIENDLY



EASY TO USE



LOW EMISSION



EASY MACHINING



ANTISLIP

Measurements	38 x 1200/600 x 2400/1800	other sizes on request
Density	from 680 kg / m ³ to 750 kg/m ³	
Formaldehyde class	Class E1 EN 312	Class E0,5 EN 312 and CARP/TSCA for P6 on request
Fire Classification	Bfl-s1 & D-s2-d0	
Several surface options	Crown, carat coated with phenolic film/ melamine based coating	
Colors	light/dark / silver grey, brown	reverse smooth white melamine

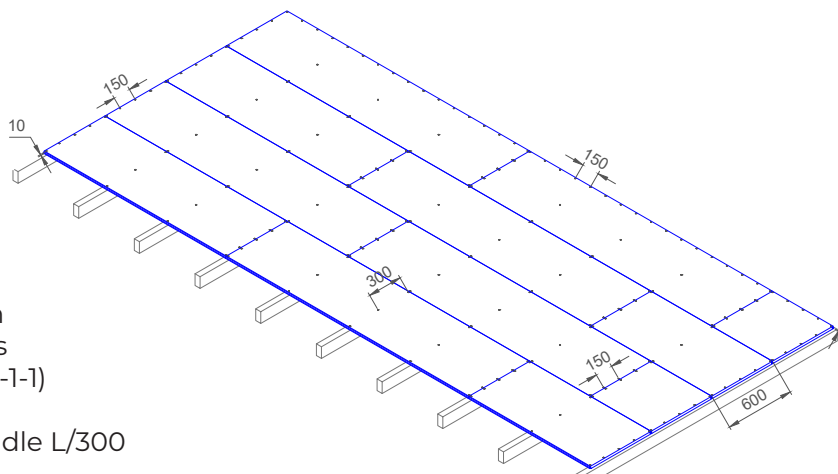
Depending on the area of use and safety requirements , Koskisen can offer several flooring options !



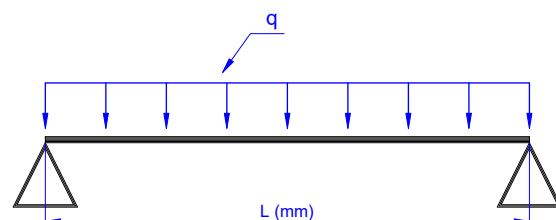
Anti-Slip properties for working safety DIN 51130 from R9 to R11

Technical specifications

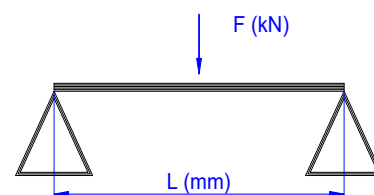
- KoskiPro, coated chip board P6, 38 mm
- Loads for predimensioning in kN/m², as recommended by Eurocode 5 (EN 1995-1-1)
- Service class 1
- Deflection limit on edges L/150, on middle L/300



Uniformly distributed load, single-span kN/m ²	Span (mm)		
	300	450	600
long duration loads	57,57	25,59	14,39
medium duration loads	82,60	36,71	20,65
short duration loads	110,13	48,95	27,53



Point load, in kN	Span (mm)		
	300	450	600
long duration loads	2,87	2,46	2,26
medium duration loads	4,11	3,53	3,52
short duration loads	5,48	4,71	4,33



Point load applied to an area of 50x50 mm



Interested to know more?
Please read the QR code
or visit www.koskisen.com.
You can also contact us by
email info@koskisen.com.



KOSKISEN

www.koskisen.com