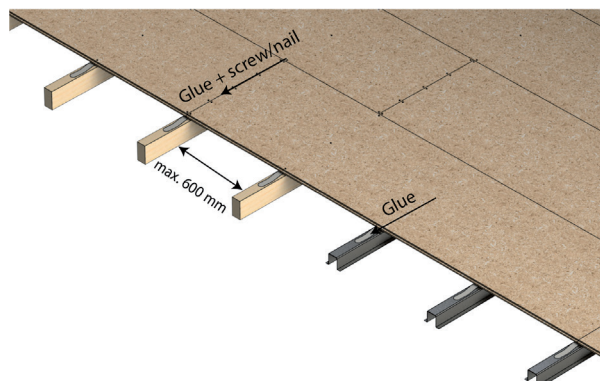


# KOSKIFLOOR installation instructions

## 22/25 x 600/1200 x 1800/2400 mm



When installing the floor board, the temperature and relative humidity in the building must be close to the future use conditions. The frame structure must also be sufficiently dry. The chipboard must be stored in a clean and dry place (RH<60%) and conditioned close to the future use conditions for 5 to 7 days before use.

The bracket interval for both P6 and P5/P6 grade boards must be no more than 600 mm.

The all-round tongued and grooved chipboard is installed such that the long sides of the boards are perpendicular to the brackets and the short sides are always on the brackets. The board edges must be supported at walls and studs. There must be at least one bracket gap between the seams of the short ends of the boards.

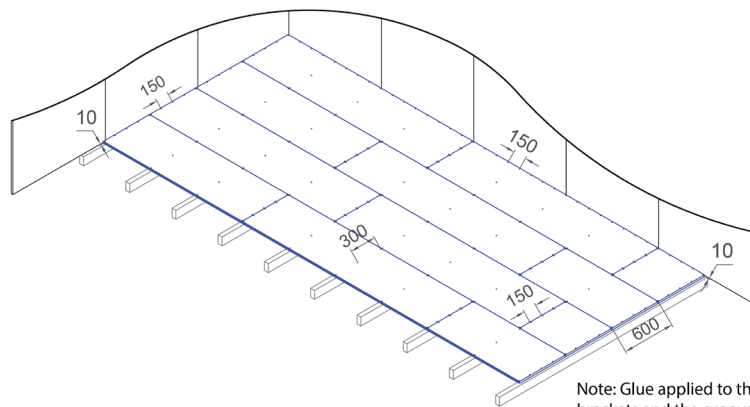
A gap of  $1/1000$  x the length/width of the room (however at least 10 mm) must be left in the floor boards next to walls and openings between rooms to allow for moisture changes. The gap is covered by a threshold strip or baseboard.

To improve the floor's stiffness, the boards are glued and nailed or screwed to each wooden bracket; in the case of metal brackets, the boards are glued. The tongue-and-groove edges of the boards are also always glued together. Care must be taken when applying the glue. Enough glue must be used to ensure a consistent glue seam along the full length of the tongue and groove. Too much glue could create gaps in between the boards.

In addition, the following guidelines must be followed when affixing the boards to wooden brackets:

- Spacing of nails or screws at the edges of the board c/c 150 mm and in the middle c/c approx. 300 mm
- The distance of the row of nails or screws from the edge of the board is 10–15 mm
- The recommended nails are flat-head thread nails 3.2 x 75 mm
- Flat-head screws must be 2.5–3 times longer than the thickness of the board
- The screw heads are sunken into the board at least 2 mm and the nail heads at least 5 mm; the depression must not be plastered
- PVA glue is used, and it must not be diluted with water
- We recommend SMP-based glue for the metal frame, such as Kiilto's Masa adhesive fix and sealant

Before placing a flooring material on top of the chipboard, make sure that the board has not, for instance, become deformed due to moisture caused by improper storage and that the floor surface is level. Any irregularities on the board's surface are sanded down and levelled using a filler that is suitable for chipboard. Particularly before using surfaces that require gluing, such as vinyl flooring, make sure that the filler that was used has dried properly and that the moisture content of the chipboard has stabilised close to the future use conditions before installing the surface material. This is important, as a small deformation of the chipboard due to drying may cause bulges in the board.



Note: Glue applied to the brackets and the grooves.